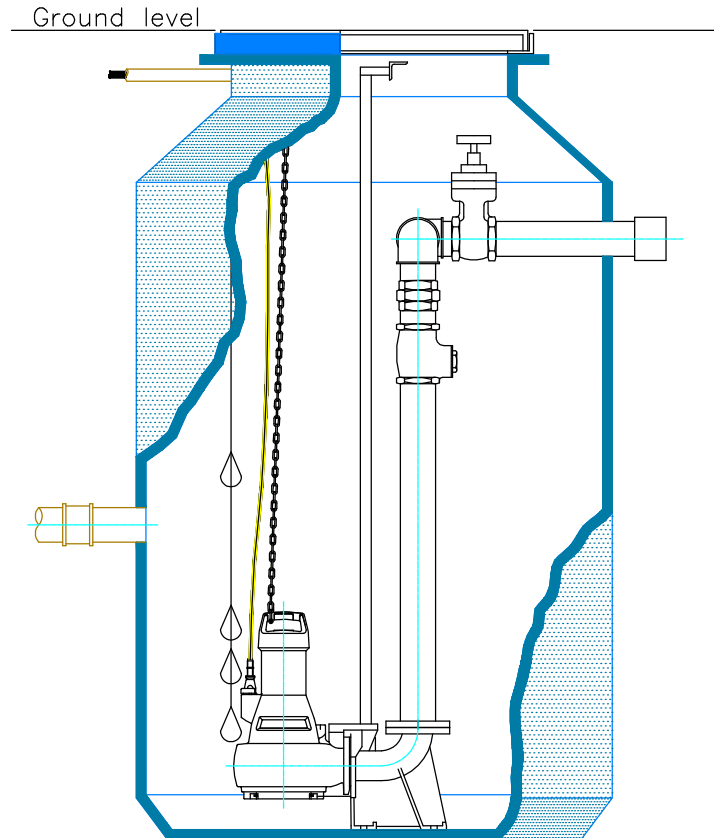


Direct Pumps & Tanks Ltd

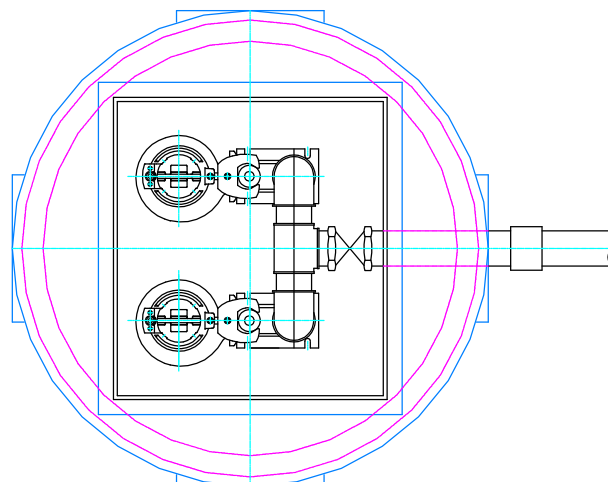
Manufacturers and suppliers of pumping equipment for water, rain water, waste water and sewage.

Unit 12, Cossall Industrial Estate, Ilkeston, Derbyshire, DE7 5UA
T: 0115 9444474 / 9324641. F: 0115 9442040. E: info@dpandt.co.uk
W. www.directpumpsandtanks.co.uk



Comprises of

- GRP or HDPE Pump chamber
- Pumps
- Control panel & (including alarm)
- Galvanised steel or ABS pipework
- Non- Return valves
- Gate valve
- Pump discharge stools
- Guide rails
- Float bracket
- Cable duct
- Access cover & frame
- Lifting chain
- Invert connection
- 4 x Floats



Plan view